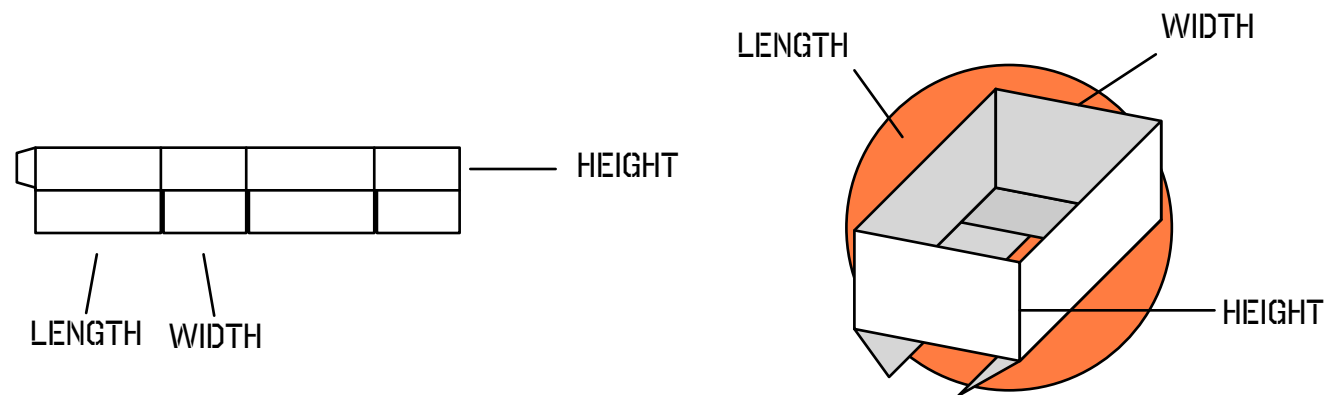


HSC - HALF SLOTTED CARTON

DRAWING CODE: FEFCO 200



www.theboxman.com.au

PRICE: **BASE RANGE**

THESE ARE COST EFFECTIVE OPEN TOP BOXES / TRAYS

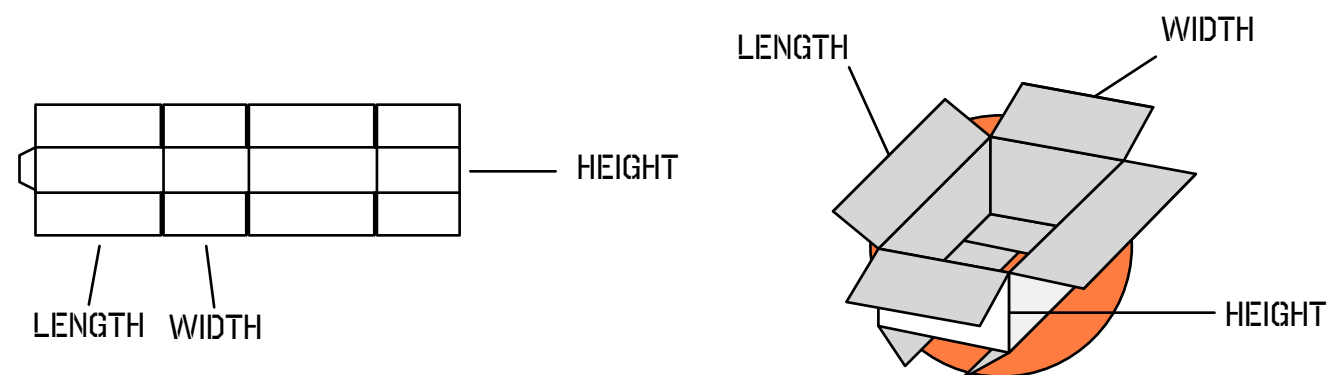
ASSEMBLY REQUIRED: **TAPING REQUIRED TO CLOSE THE BOTTOM OF THE BOX**

SUPPLIED: **FLAT - BUNDLED OR WRAPPED (FOR LARGER QUANTITIES THEY WILL BE PALLETISED)**

*** PLEASE NOTE THAT WE WORK OFF INTERNAL MEASUREMENTS ***

RSC - REGULAR SLOTTED CARTON

DRAWING CODE: FEFCO 201



www.theboxman.com.au

PRICE: **BASE RANGE**

THESE ARE THE MOST COST EFFECTIVE AND MOST COMMON BOXES / CARTONS WE PRODUCE

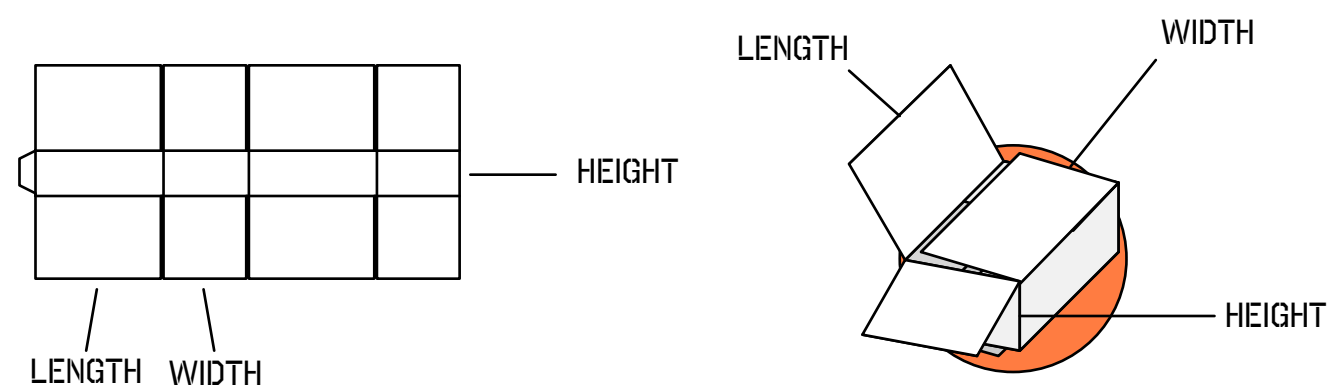
ASSEMBLY REQUIRED: **TAPING REQUIRED TO CLOSE THE TOP AND THE BOTTOM OF THE BOX**

SUPPLIED: **FLAT - BUNDLED OR WRAPPED (FOR LARGER QUANTITIES THEY WILL BE PALLETISED)**

*** PLEASE NOTE THAT: WE WORK OFF INTERNAL MEASUREMENTS ***

FWF - FULL WIDTH FLAP CARTONS

DRAWING CODE: FEFCO 203



www.theboxman.com.au

PRICE: **BASE RANGE**

THESE ARE COST EFFECTIVE BOXES WITH OVERLAPPING BASE FLAPS FOR COMPOUNDED STRENGTH

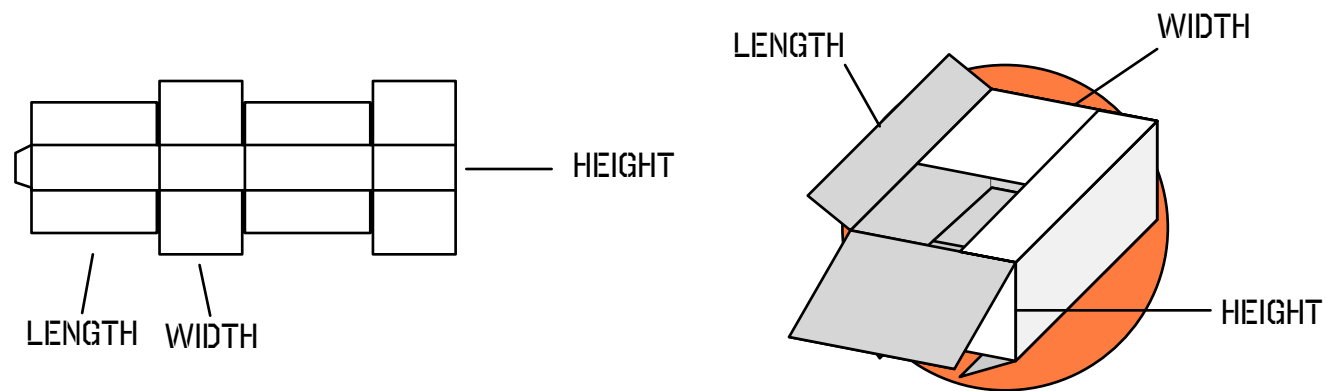
ASSEMBLY REQUIRED: **TAPING REQUIRED TO CLOSE THE TOP AND BOTTOM OF THE BOX**

SUPPLIED: **FLAT - BUNDLED OR WRAPPED (FOR LARGER QUANTITIES THEY WILL BE PALLETISED)**

*** PLEASE NOTE THAT: WE WORK OFF INTERNAL MEASUREMENTS ***

AFM - ALL FLAPS MEET BOXES

DRAWING CODE: FEFCO 204



www.theboxman.com.au

PRICE: RANGE 2

THESE BOXES HAVE BOTH SETS OF FLAPS MEETING IN THE MIDDLE FOR STRENGTH & A FLAT BASE

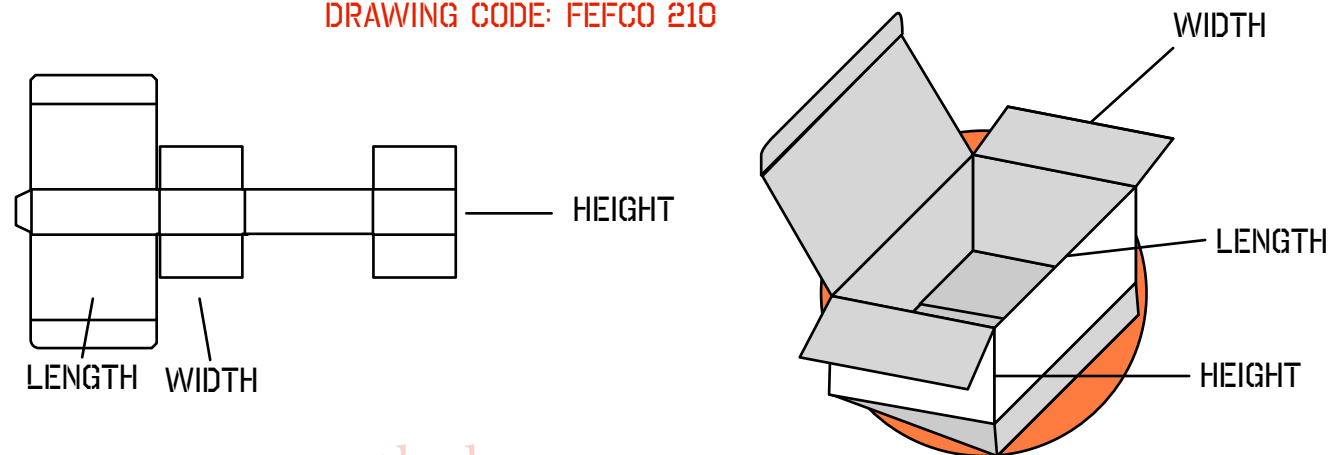
ASSEMBLY REQUIRED: TAPING REQUIRED TO CLOSE THE TOP AND BOTTOM OF THE BOX

SUPPLIED: FLAT - BUNDLED OR WRAPPED (FOR LARGER QUANTITIES THEY WILL BE PALLETISED)

*** PLEASE NOTE THAT: WE WORK OFF INTERNAL MEASUREMENTS ***

TUCK - TUCK SAME SIDES BOXES

DRAWING CODE: FEFCO 210



www.theboxman.com.au

PRICE: RANGE 3

THESE ARE THE ENTRY LEVEL PRESENTATION STYLE BOXES

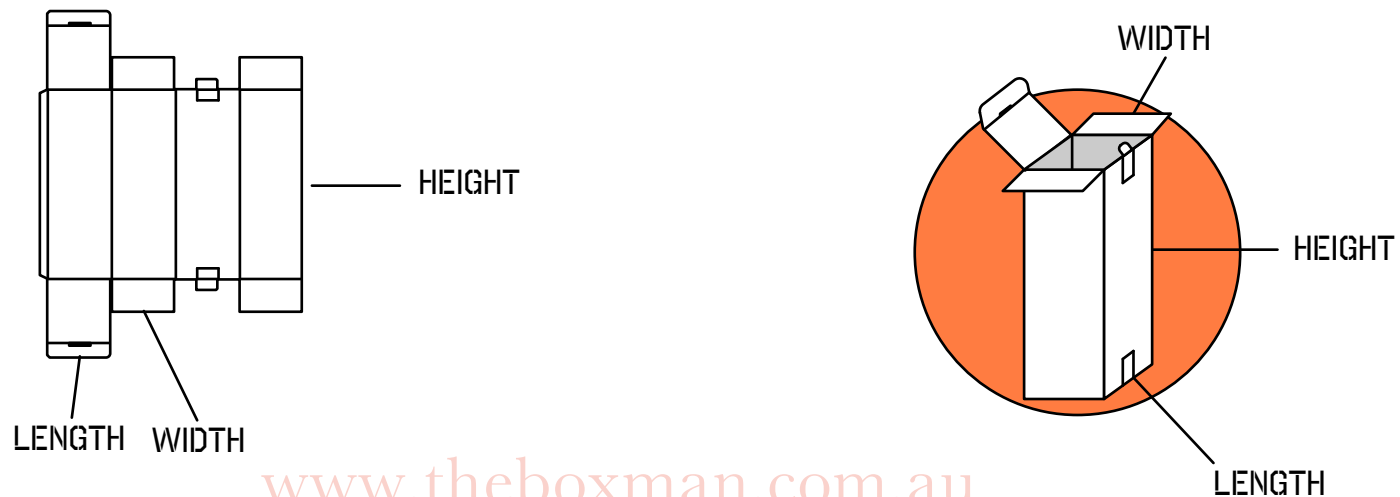
ASSEMBLY REQUIRED: THESE BOXES HAVE FLAPS WHICH TUCK IN (MAY REQUIRE TAPE TO SECURE)

SUPPLIED: FLAT - BUNDLED OR WRAPPED (FOR LARGER QUANTITIES THEY WILL BE PALLETISED)

*** PLEASE NOTE THAT: WE WORK OFF INTERNAL MEASUREMENTS ***

MAP BOXES

DRAWING CODE: FEFCO 210T



www.theboxman.com.au

PRICE: BASE RANGE 4

THESE ARE BOXES WHICH TUCK IN ON THE TOP AND BOTTOM - WITH TAB LOCKS

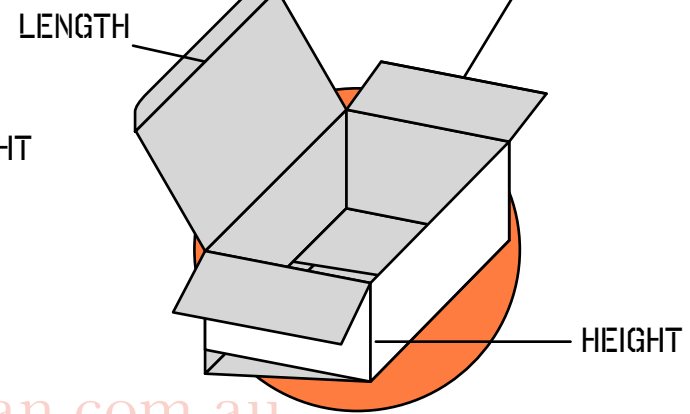
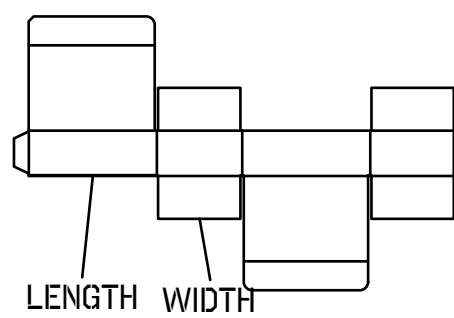
ASSEMBLY REQUIRED: SELF LOCKING BOXES

SUPPLIED: FLAT - BUNDLED OR WRAPPED (FOR LARGER QUANTITIES THEY WILL BE PALLETISED)

*** PLEASE NOTE THAT: WE WORK OFF INTERNAL MEASUREMENTS ***

TUCK - TUCK OPPOSITE SIDES

DRAWING CODE: FEFCO 211



www.theboxman.com.au

PRICE: RANGE 3

THESE ARE THE ENTRY LEVEL PRESENTATION STYLE BOXES

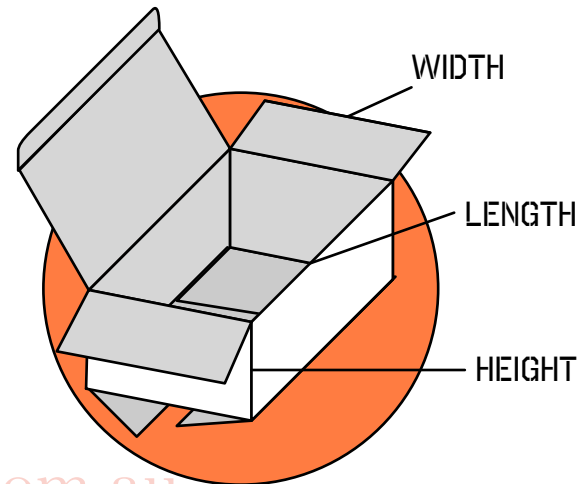
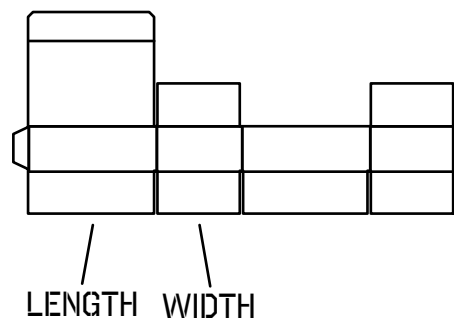
ASSEMBLY REQUIRED: THESE BOXES HAVE FLAPS WHICH TUCK IN (MAY REQUIRE TAPE TO SECURE)

SUPPLIED: FLAT - BUNDLED OR WRAPPED (FOR LARGER QUANTITIES THEY WILL BE PALLETISED)

*** PLEASE NOTE THAT: WE WORK OFF INTERNAL MEASUREMENTS ***

TUCK TOP RSC BASE BOXES

DRAWING CODE: FEFCO 212



www.theboxman.com.au

PRICE: RANGE 2

THESE ARE THE ENTRY LEVEL PRESENTATION STYLE BOXES,

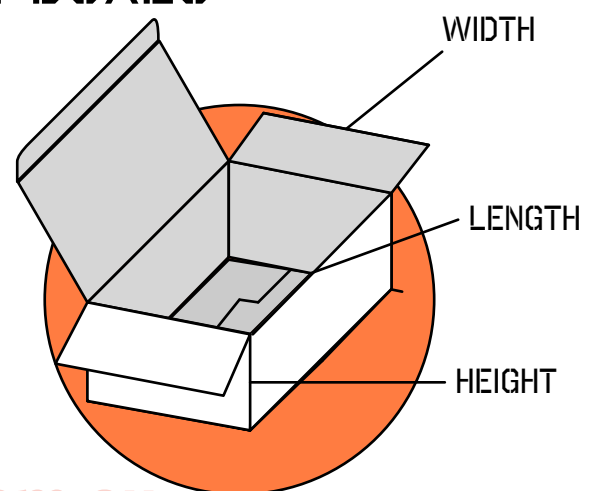
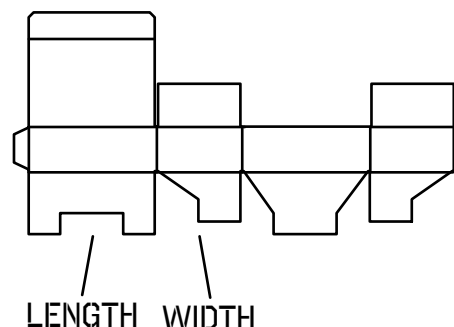
ASSEMBLY REQUIRED: THESE BOXES HAVE TUCK IN TOP FLAPS AND REQUIRE TAPE FOR THE BASE

SUPPLIED: FLAT - BUNDLED OR WRAPPED (FOR LARGER QUANTITIES THEY WILL BE PALLETISED)

*** PLEASE NOTE THAT: WE WORK OFF INTERNAL MEASUREMENTS ***

TUCK TOP LOCK BOTTOM BOXES

DRAWING CODE: FEFCO 215



www.theboxman.com.au

PRICE: RANGE 4

THESE ARE TUCK IN TOP BOXES WITH A SELF LOCKING BASE

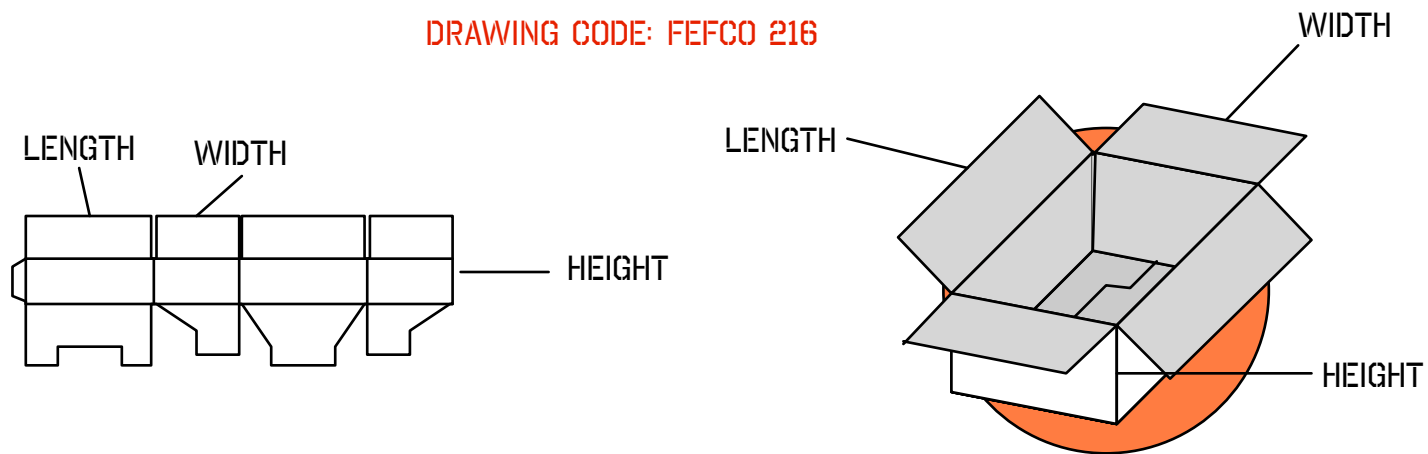
ASSEMBLY REQUIRED: TAPING MAY BE REQUIRED TO SECURE THE TOP FLAP FOR TRANSIT

SUPPLIED: FLAT - BUNDLED OR WRAPPED (FOR LARGER QUANTITIES THEY WILL BE PALLETISED)

*** PLEASE NOTE THAT: WE WORK OFF INTERNAL MEASUREMENTS ***

RSC TOP - LOCK BOTTOM BOXES

DRAWING CODE: FEFCO 216



www.theboxman.com.au

PRICE: RANGE 2

THESE ARE A RATHER UNSUAL DESIGN WITH A TAPED TOP AND A SELF LOCKING BASE

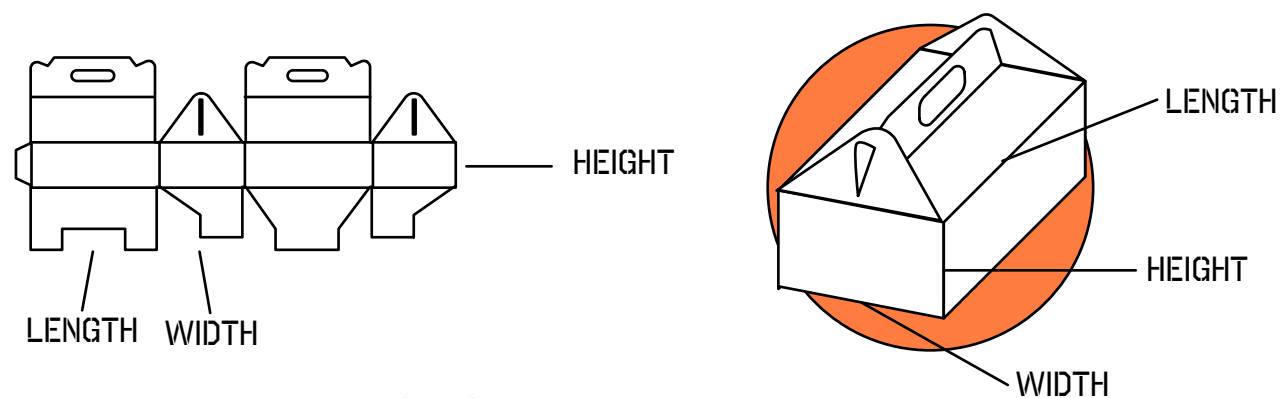
ASSEMBLY REQUIRED: TAPING REQUIRED TO CLOSE THE TOP OF THE BOX

SUPPLIED: FLAT - BUNDLED OR WRAPPED (FOR LARGER QUANTITIES THEY WILL BE PALLETISED)

*** PLEASE NOTE THAT: WE WORK OFF INTERNAL MEASUREMENTS ***

HAMPER BOXES

DRAWING CODE: FEFCO 217



www.theboxman.com.au

PRICE: RANGE 6

THESE ARE HAMPER BOXES WITH A LOCKING BOTTOM AND A CARRY HANDLE TOP

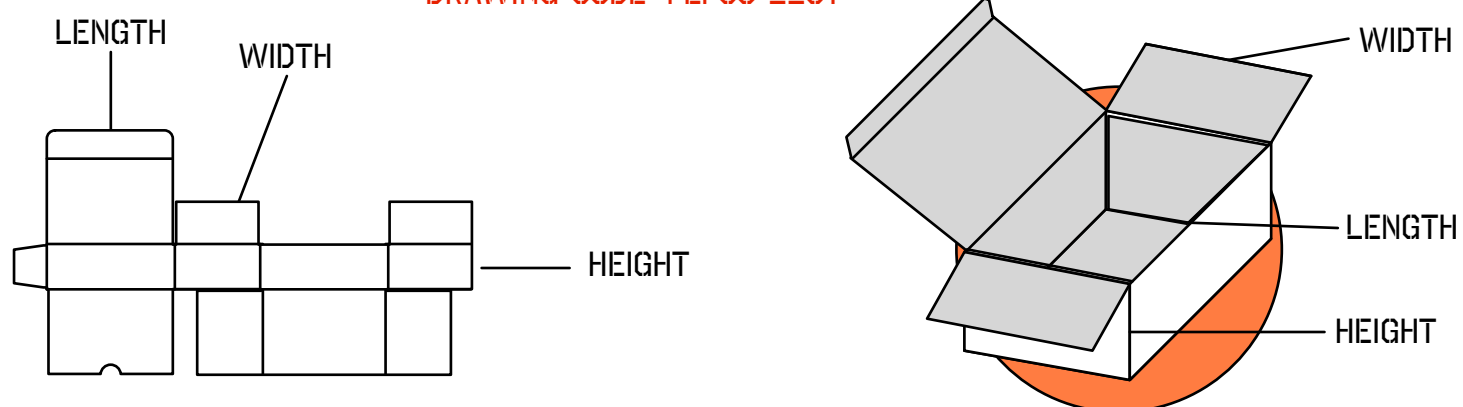
ASSEMBLY REQUIRED: SELF CLOSING BOXES

SUPPLIED: FLAT - BUNDLED OR WRAPPED (FOR LARGER QUANTITIES THEY WILL BE PALLETISED)

*** PLEASE NOTE THAT: WE WORK OFF INTERNAL MEASUREMENTS ***

TUCK IN TOP ARCHIVE BASE

DRAWING CODE: FEFCO 225T



www.theboxman.com.au

PRICE: RANGE 5

THESE BOXES FEATURE DOUBLED SIDE WALLS AND DOUBLED BASE FOR EXCELLENT STRENGTH THE TOP TUCKS IN AND THESE ARE AVAILABLE WITH A LOCK TAB ALSO

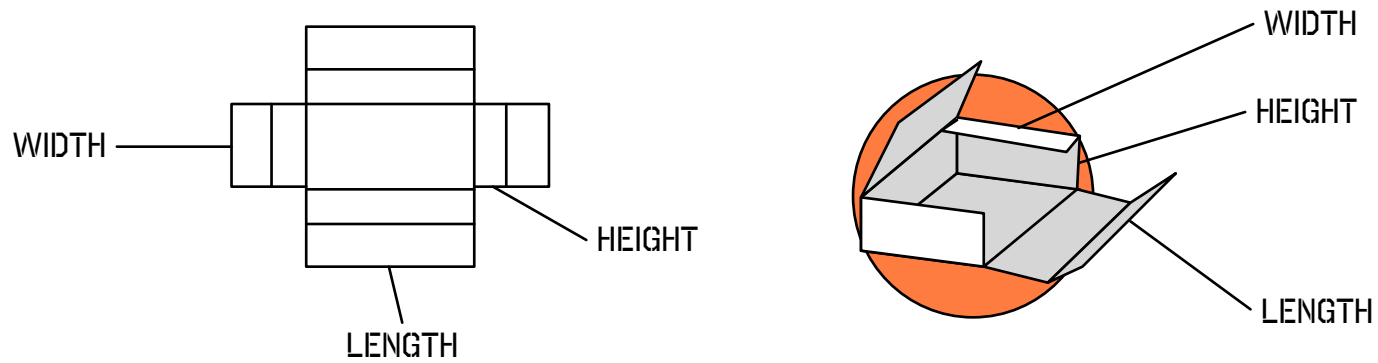
ASSEMBLY REQUIRED: IF NOT USING THE TAB LOCK FOR THE LID TAPE MAY BE NEEDED

SUPPLIED: FLAT - BUNDLED OR WRAPPED (FOR LARGER QUANTITIES THEY WILL BE PALLETISED)

*** PLEASE NOTE THAT: WE WORK OFF INTERNAL MEASUREMENTS ***

WALLETS

DRAWING CODE: FEFCO 401



www.theboxman.com.au

PRICE: **BASE RANGE**

THESE BOXES ARE IDEAL FOR SHALLOW PRODUCTS (WHERE CORNER PROTECTION IS NOT CRITICAL)

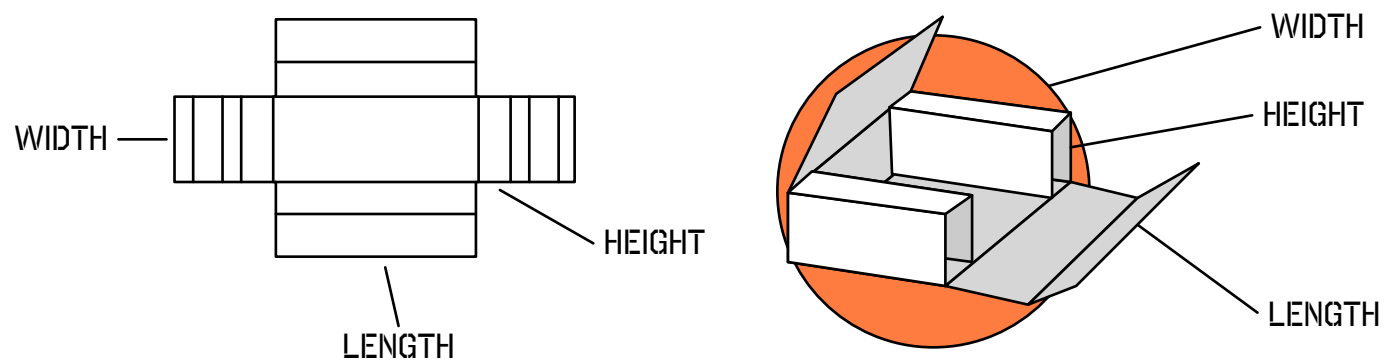
ASSEMBLY REQUIRED: **TAPE CLOSED**

SUPPLIED: **FLAT - BUNDLED OR WRAPPED (FOR LARGER QUANTITIES THEY WILL BE PALLETISED)**

*** PLEASE NOTE THAT: WE WORK OFF INTERNAL MEASUREMENTS ***

AIR WALLETS

DRAWING CODE: FEFCO 403



www.theboxman.com.au

PRICE: **BASE RANGE**

THESE BOXES ARE IDEAL FOR SHALLOW PRODUCTS I.E. BOOKS AND PROVIDE A CRUSH ZONE FOR CORNER PROTECTION

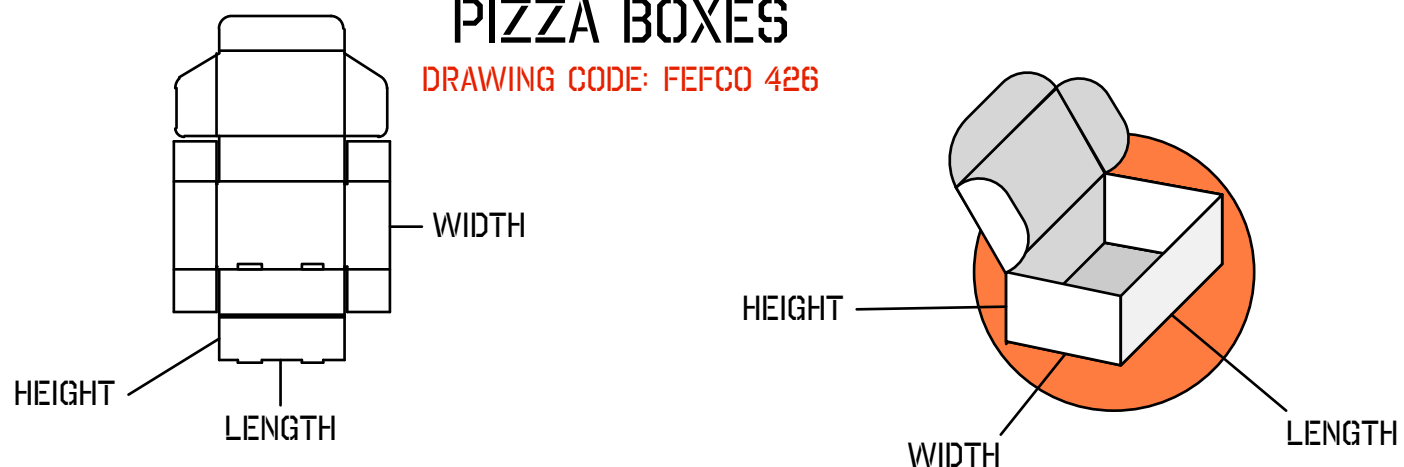
ASSEMBLY REQUIRED: **TAPE CLOSED**

SUPPLIED: **FLAT - BUNDLED OR WRAPPED (FOR LARGER QUANTITIES THEY WILL BE PALLETISED)**

*** PLEASE NOTE THAT: WE WORK OFF INTERNAL MEASUREMENTS ***

PIZZA BOXES

DRAWING CODE: FEFCO 426



www.theboxman.com.au

PRICE: **RANGE 5**

THESE BOXES ARE IDEAL FOR SHALLOW PRODUCTS (WHERE CORNER PROTECTION IS NOT CRITICAL)

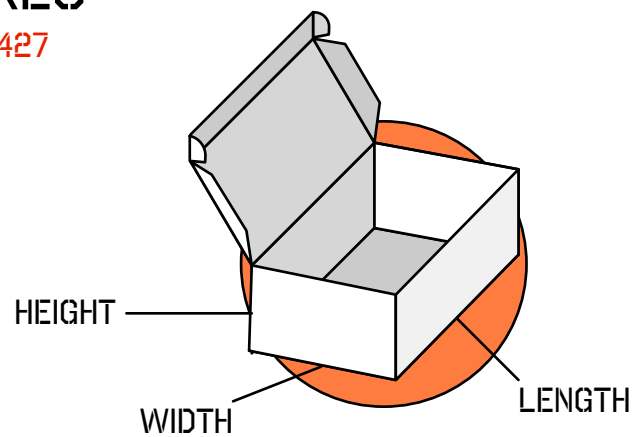
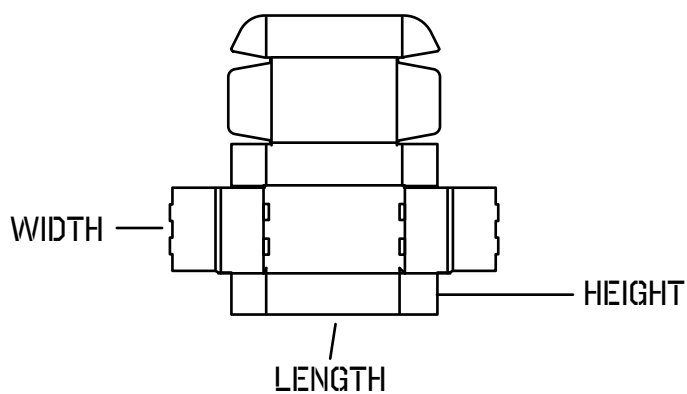
ASSEMBLY REQUIRED: **HAND LOCK FRONT- MAY REQUIRE TAPING OF TOP FLAP FOR TRANSIT**

SUPPLIED: **FLAT - BUNDLED OR WRAPPED (FOR LARGER QUANTITIES THEY WILL PE PALLETISED)**

*** PLEASE NOTE THAT: WE WORK OFF INTERNAL MEASUREMENTS ***

427 STYLE BOXES

DRAWING CODE: FEFCO 427



www.theboxman.com.au

PRICE: RANGE 6

THESE ARE NICE SELF LOCKING BOXES - WITH DUST FLAPS WHERE THE FRONT LOCKS IN THE SIDES

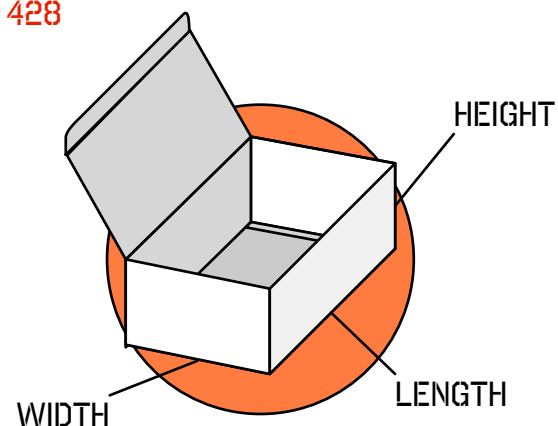
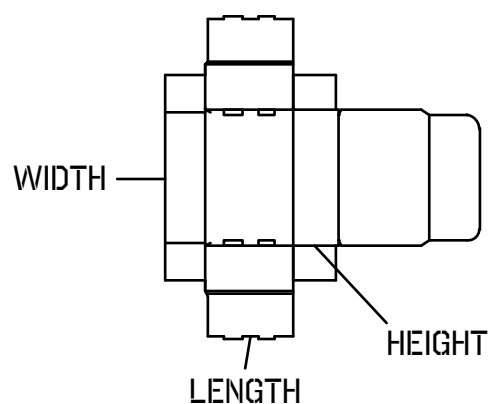
ASSEMBLY REQUIRED: SELF LOCKING CARTON - NO TAPE REQUIRED

SUPPLIED: FLAT - BUNDLED OR WRAPPED (FOR LARGER QUANTITIES THEY WILL BE PALLETISED)

*** PLEASE NOTE THAT WE WORK OFF INTERNAL MEASUREMENTS ***

428 STYLE BOXES

DRAWING CODE: FEFCO 428



www.theboxman.com.au

PRICE: RANGE 6

THESE ARE NICE SELF LOCKING BOXES - WITHOUT DUST FLAPS WHERE THE FRONT TUCKS IN

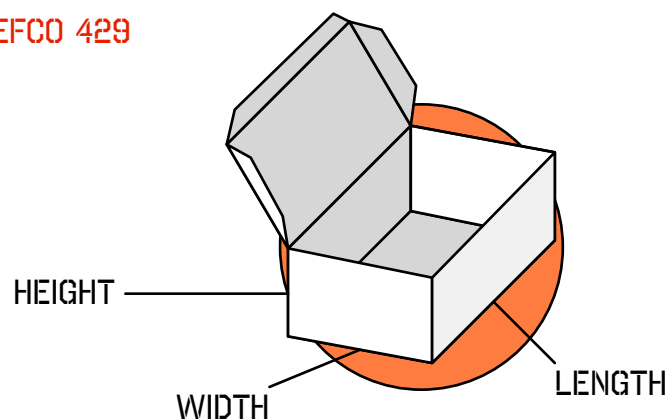
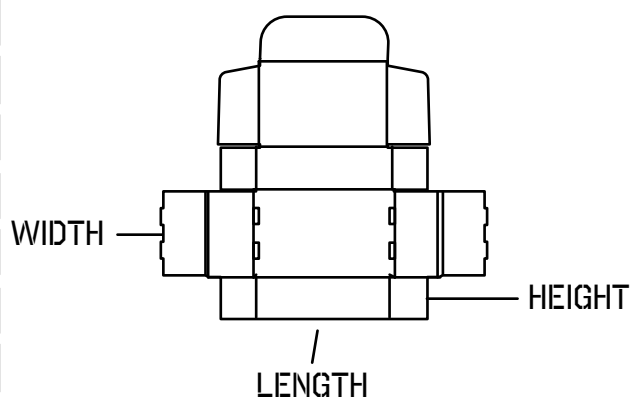
ASSEMBLY REQUIRED: SELF LOCKING (MAY NEED TO TAPE THE TUCK IN FLAP FOR TRANSIT)

SUPPLIED: FLAT - BUNDLED OR WRAPPED (FOR LARGER QUANTITIES THEY WILL BE PALLETISED)

*** PLEASE NOTE THAT WE WORK OFF INTERNAL MEASUREMENTS ***

429 STYLE BOXES

DRAWING CODE: FEFCO 429



www.theboxman.com.au

PRICE: RANGE 6

THESE ARE NICE SELF LOCKING BOXES - WITH DUST FLAPS AND A TUCK INFRONT

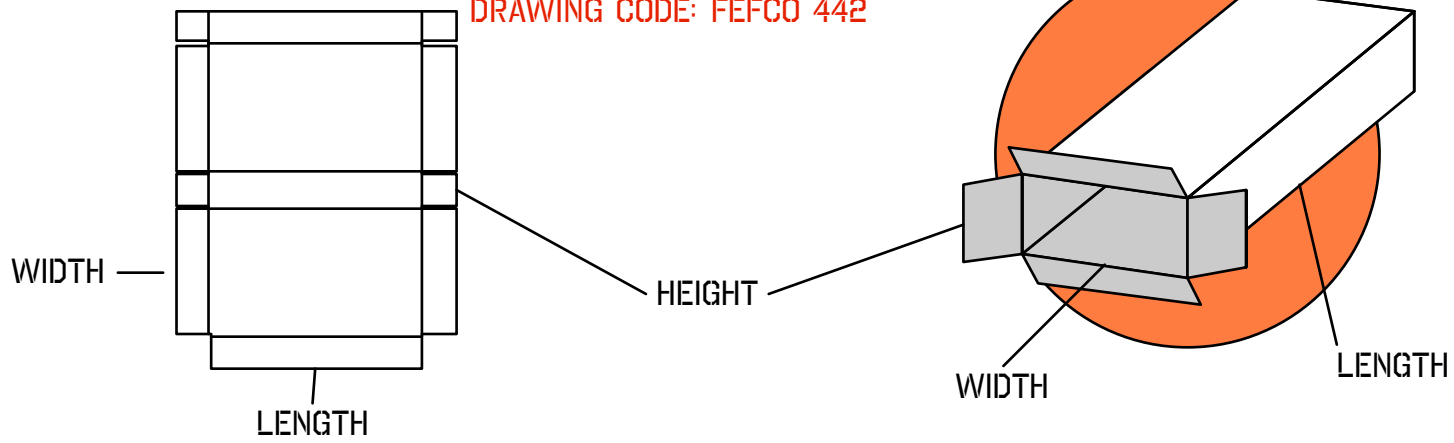
ASSEMBLY REQUIRED: HAND LOCK SIDE - MAY REQUIRE TAPING OF TOP FLAT FOR TRANSIT

SUPPLIED: FLAT - BUNDLED OR WRAPPED (FOR LARGER QUANTITIES THEY WILL BE PALLETISED)

*** PLEASE NOTE THAT WE WORK OFF INTERNAL MEASUREMENTS ***

PICTURE CARTONS

DRAWING CODE: FEFCO 442



www.theboxman.com.au

PRICE: **BASE RANGE**

THESE BOXES ARE IDEAL FOR SHALLOW PRODUCTS I.E. PICTURES THAT CAN BE END / SIDE LOADED

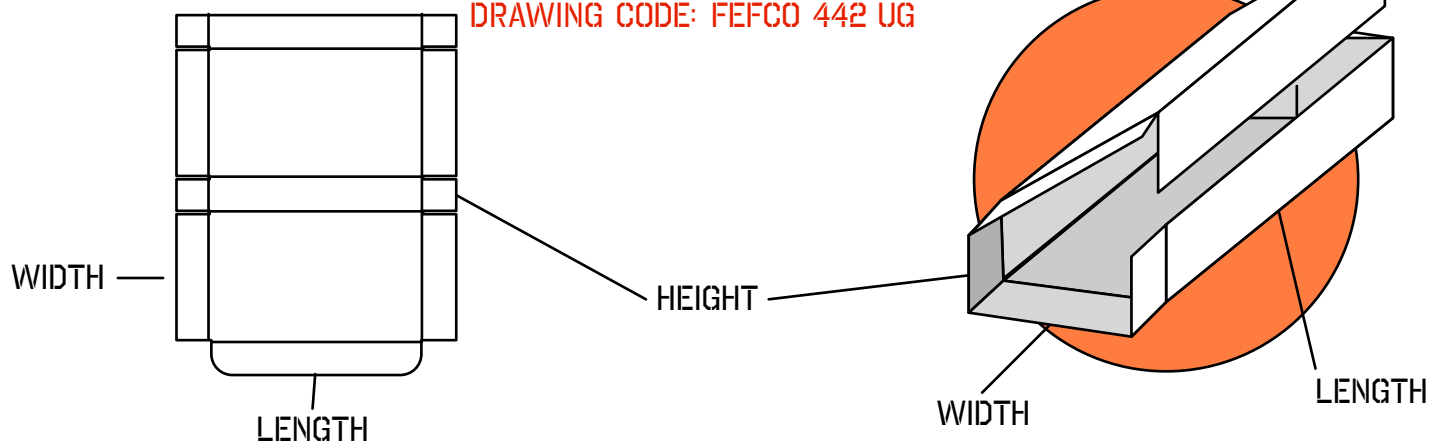
ASSEMBLY REQUIRED: **TAPE CLOSED**

SUPPLIED: **FLAT - BUNDLED OR WRAPPED (FOR LARGER QUANTITIES THEY WILL BE PALLETISED)**

*** PLEASE NOTE THAT: WE WORK OFF INTERNAL MEASUREMENTS ***

5PF: 5 PANEL FOLDERS

DRAWING CODE: FEFCO 442 UG



www.theboxman.com.au

PRICE: **BASE RANGE**

THESE BOXES ARE IDEAL FOR LONG OR HEAVY PRODUCTS WHICH ARE SHALLOW AND WHERE YOU NEED TO LOAD ONTO THE BOX AND FOLD IT UP AROUND THE PRODUCT

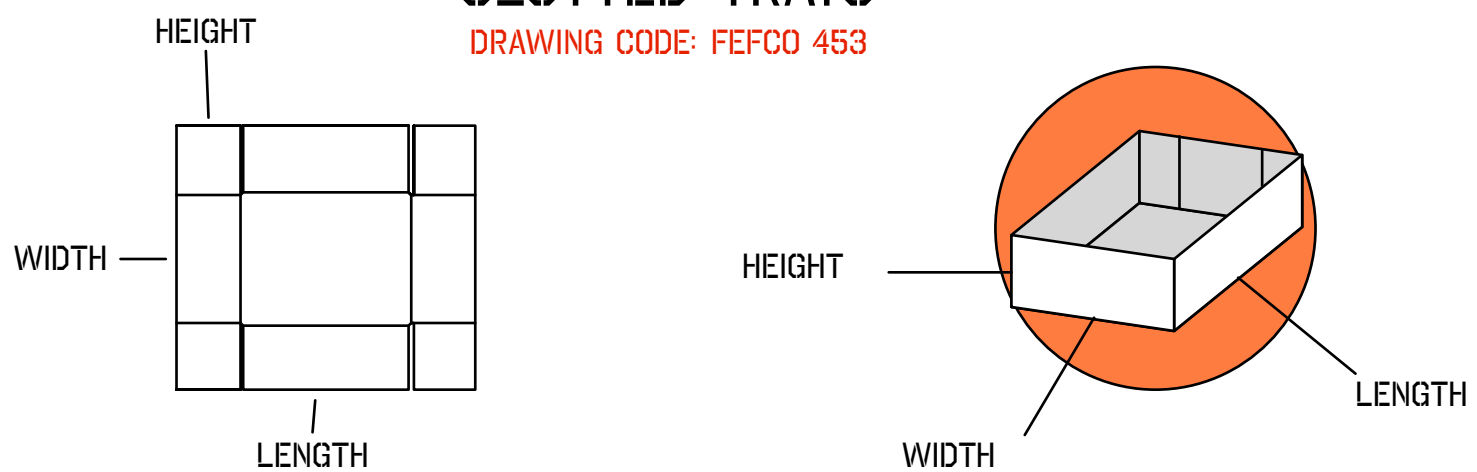
ASSEMBLY REQUIRED: **TAPE CLOSED ON BOTH ENDS**

SUPPLIED: **FLAT - BUNDLED OR WRAPPED (FOR LARGER QUANTITIES THEY WILL BE PALLETISED)**

*** PLEASE NOTE THAT: WE WORK OFF INTERNAL MEASUREMENTS ***

SLOTTED TRAYS

DRAWING CODE: FEFCO 453



www.theboxman.com.au

PRICE: **BASE RANGE**

THESE BOXES ARE A SIMPLE YET STRONG TRAY THAT CAN BE SUPPLIED FLAT OR GLUED

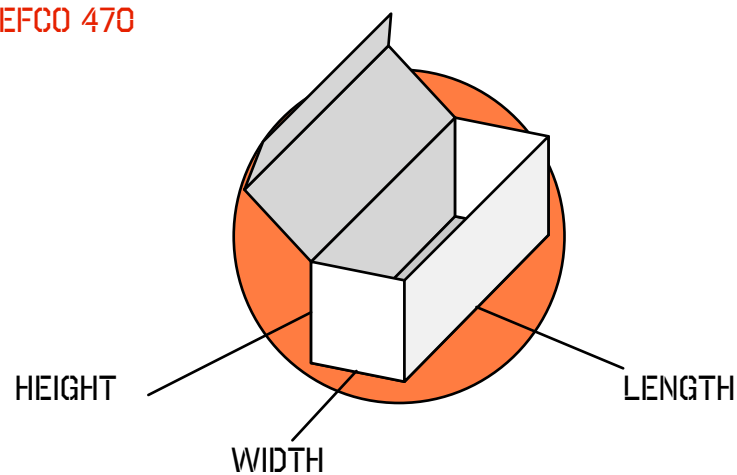
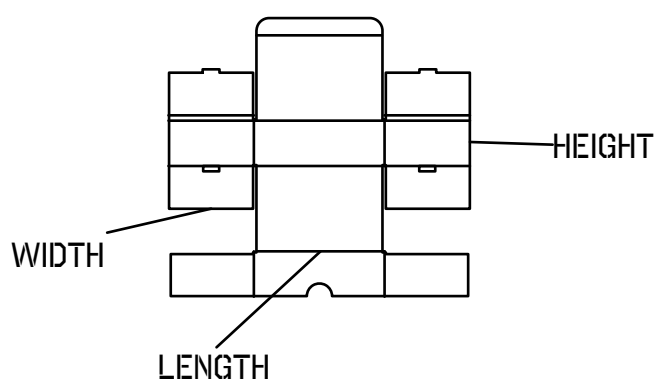
ASSEMBLY REQUIRED: **TAPE OR GLUE - CAN BE SUPPLIED FLAT OR PREGLUED**

SUPPLIED: **FLAT - BUNDLED OR WRAPPED (FOR LARGER QUANTITIES THEY WILL BE PALLETISED)**

*** PLEASE NOTE THAT: WE WORK OFF INTERNAL MEASUREMENTS ***

470 STYLE BOXES

DRAWING CODE: FEFCO 470



www.theboxman.com.au

PRICE: RANGE 6

THESE ARE A NICELY FINISHED SELF LOCKING BASE BOX, WITH A TUCK IN LID

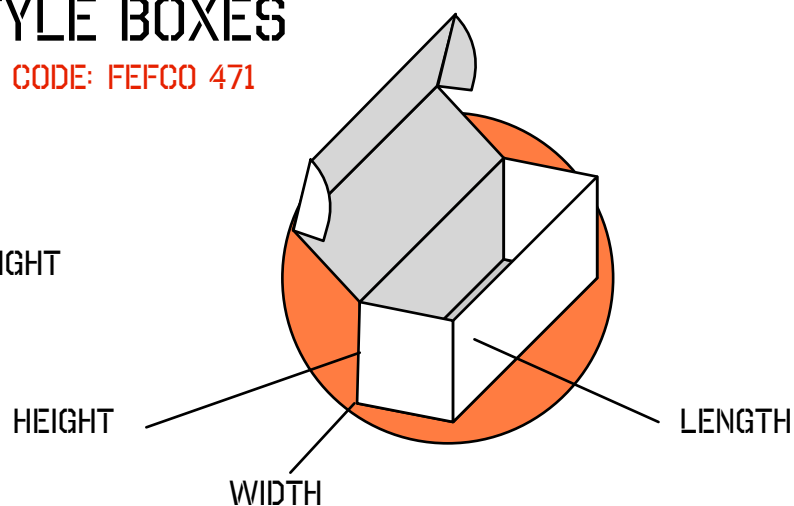
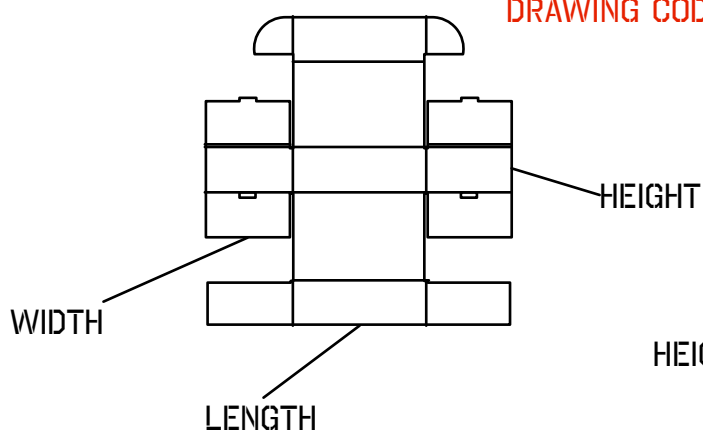
ASSEMBLY REQUIRED: SELF CLOCKING BOXES

SUPPLIED: FLAT - BUNDLED OR WRAPPED (FOR LARGER QUANTITIES THEY WILL BE PALLETISED)

*** PLEASE NOTE THAT: WE WORK OFF INTERNAL MEASUREMENTS ***

471 STYLE BOXES

DRAWING CODE: FEFCO 471



www.theboxman.com.au

PRICE: RANGE 6

THESE ARE A NICELY FINISHED SELF LOCKING BOX SUITABLE FOR PRODUCT UP TO 150MM HIGH

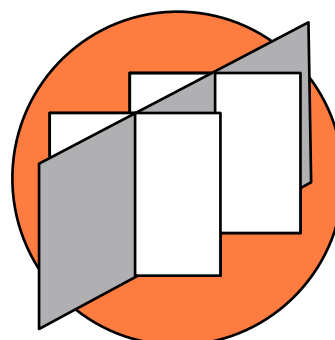
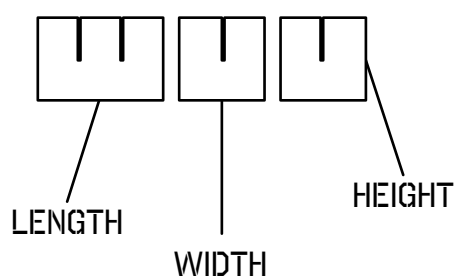
ASSEMBLY REQUIRED: SELF CLOCKING BOXES

SUPPLIED: FLAT - BUNDLED OR WRAPPED (FOR LARGER QUANTITIES THEY WILL BE PALLETISED)

*** PLEASE NOTE THAT: WE WORK OFF INTERNAL MEASUREMENTS ***

DIVIDERS

DRAWING CODE: DIVIDER



www.theboxman.com.au

PRICE: BASE RANGE

THESE ARE A SIMPLE STEP SUITABLE FOR PLACING INTO OUR RANGE OF PRODUCT TRAYS

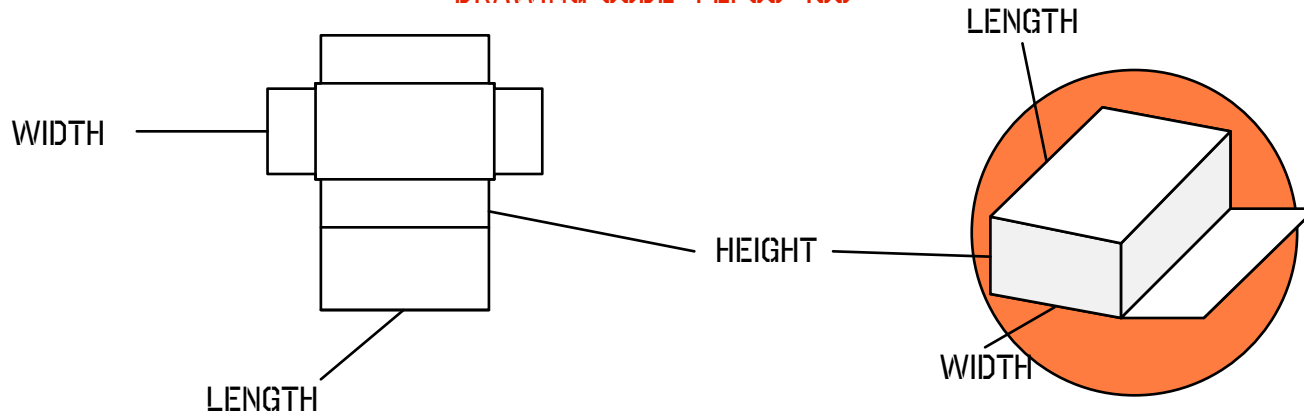
ASSEMBLY REQUIRED: THESE SIMPLY FOLD UP AND SIT IN PLACE

SUPPLIED: FLAT - BUNDLED OR WRAPPED (FOR LARGER QUANTITIES THEY WILL BE PALLETISED)

*** PLEASE NOTE THAT: WE WORK OFF INTERNAL MEASUREMENTS ***

STEP - INSERT

DRAWING CODE: FEFCO 458



www.theboxman.com.au

PRICE: **BASE RANGE**

THESE ARE A SIMPLE STEP SUITABLE FOR PLACING INTO OUR RANGE OF PRODUCT TRAYS

ASSEMBLY REQUIRED: **THESE SIMPLY FOLD UP AND SIT IN PLACE**

SUPPLIED: **FLAT - BUNDLED OR WRAPPED (FOR LARGER QUANTITIES THEY WILL BE PALLETISED)**

*** PLEASE NOTE THAT WE WORK OFF INTERNAL MEASUREMENTS ***

SHEET AND PADS

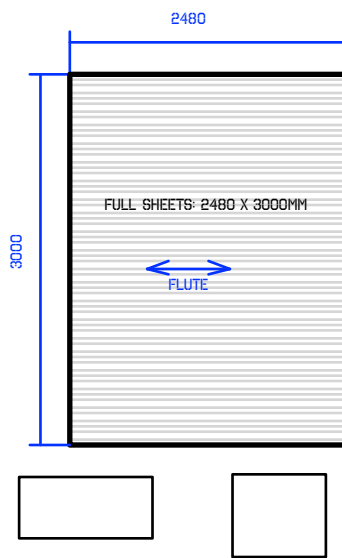
DRAWING CODE: PAD

WE CAN SUPPLY FULL SHEETS AT 3000 X 2480MM OR WE CAN CUT RECTANGULAR SHAPES TO SUIT YOUR APPLICATION

NOTE: THE ONLY WAY TO SHIP FULL SHEETS IS WITH A FLATBED TRUCK

SMALLER PADS CAN BE CUT TO ANY SIZE
WITH SMALLER PADS WE WILL REQUIRE THAT YOU PURCHASE IN A QUANTITY THAT EQUATES TO A BATCH FROM A FULL SHEET
I.E. PADS 400 X 290MM: PER BATCH 60PCE

WE WILL ADVISE ON THE BATCH QUANTITY AT THE TIME OF QUOTATION



www.theboxman.com.au

PRICE: **P.O.A.**

CARDBOARD SHEETS AND PADS: CUT TO SIZE

ASSEMBLY REQUIRED: **NIL**

SUPPLIED: **FLAT - BUNDLED, WRAPPED OR BOXED (WRAPPING AND BOXING ADD TO THE PRICE)**

*** PLEASE NOTE THAT WE WORK OFF INTERNAL MEASUREMENTS ***

DISCS / CIRCLES

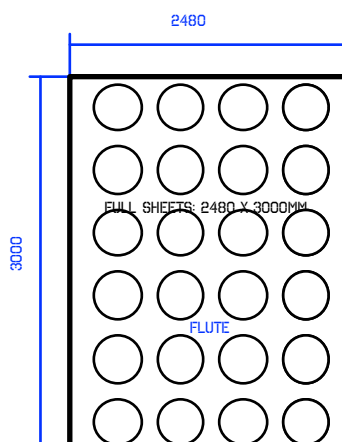
DRAWING CODE: DISC

WE CAN SUPPLY OUR FULL SHEETS CUT INTO CIRCLES TO SUIT YOUR APPLICATION

PIZZA DISCS, CAKE DISCS, DRUM SIPPERS, EVEN PIPE FLANGE COVERS

WHEN CUTTING DISCS WE WILL REQUIRE THAT YOU PURCHASE IN A QUANTITY THAT EQUATES TO A BATCH FROM A FULL SHEET - I.E. PADS 450 X 450MM: PER BATCH 24PCE

WE WILL ADVISE ON THE BATCH QUANTITY AT THE TIME OF PROVIDING A QUOTATION



www.theboxman.com.au

PRICE: **P.O.A.**

CARDBOARD DISCS CUT TO SIZE

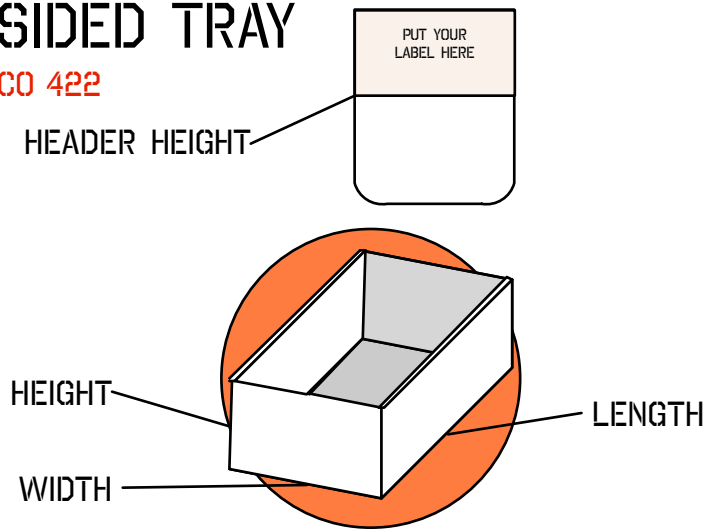
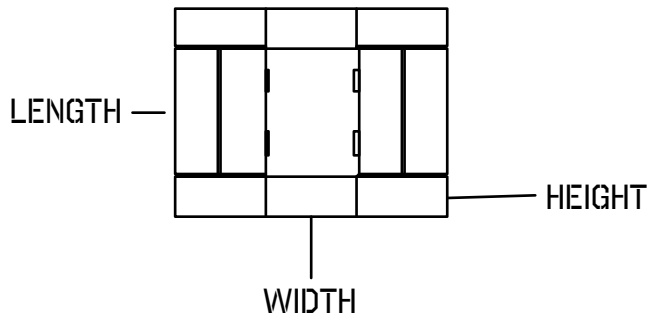
ASSEMBLY REQUIRED: **NIL**

SUPPLIED: **FLAT - BUNDLED, WRAPPED OR BOXED (WRAPPING AND BOXING ADD TO THE PRICE)**

*** PLEASE NOTE THAT WE WORK OFF INTERNAL MEASUREMENTS ***

TRAY-SQ: SQUARE SIDED TRAY

DRAWING CODE: FEFCO 422



www.theboxman.com.au

PRICE: RANGE 4

THESE ARE A SIMPLE SELF LOCKING SQUARE SIDED TRAY (HEADER CARD AVAILABLE - COSTS EXTRA)

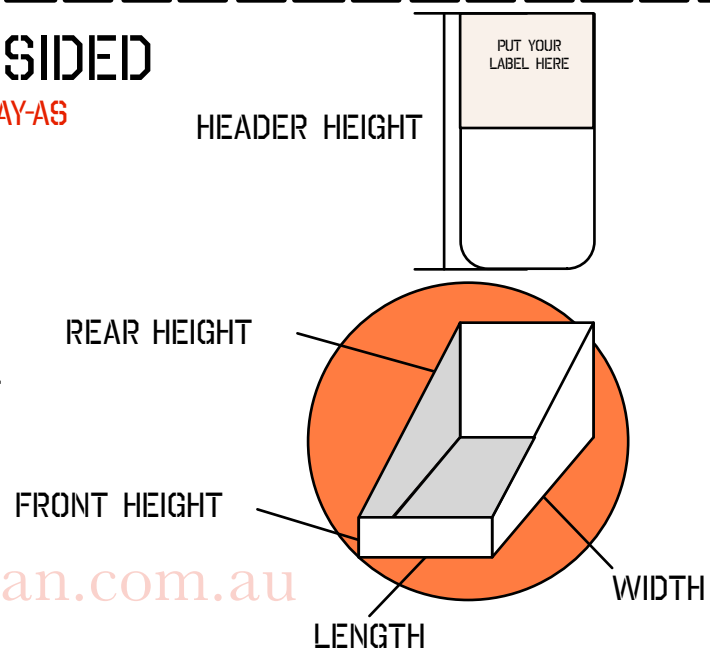
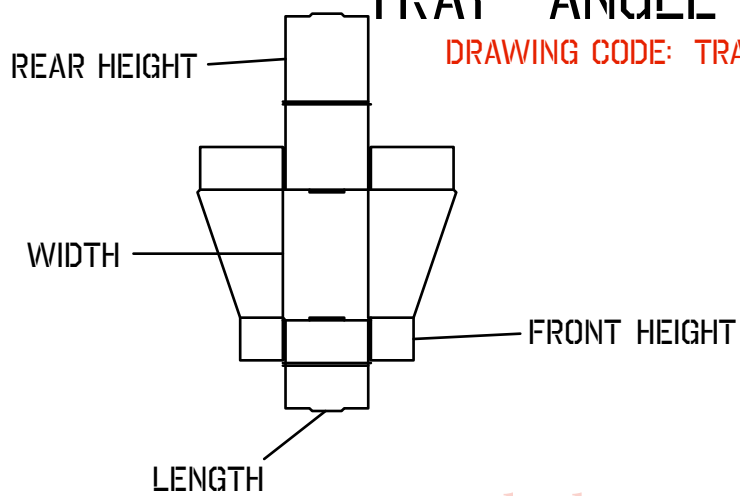
ASSEMBLY REQUIRED: THESE TRAYS ARE SELF LOCKING TRAY (HEADER CARDS WILL REQUIRE TAPE)

SUPPLIED: FLAT - BUNDLED OR WRAPPED (FOR LARGER QUANTITIES THEY WILL BE PALLETISED)

*** PLEASE NOTE THAT WE WORK OFF INTERNAL MEASUREMENTS ***

TRAY - ANGLE SIDED

DRAWING CODE: TRAY-AS



www.theboxman.com.au

PRICE: RANGE 4

THESE ARE A SIMPLE SELF LOCKING ANGLED SIDED TRAYS (HEADER CARD AVAILABLE - COSTS EXTRA)

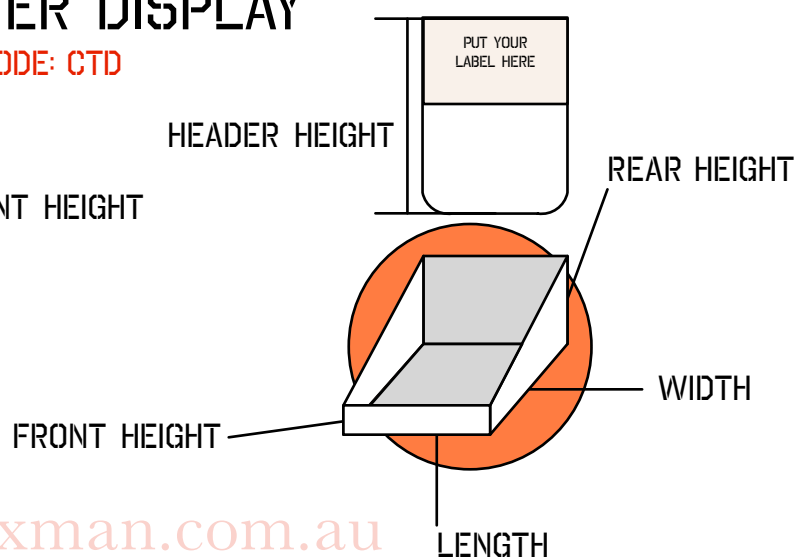
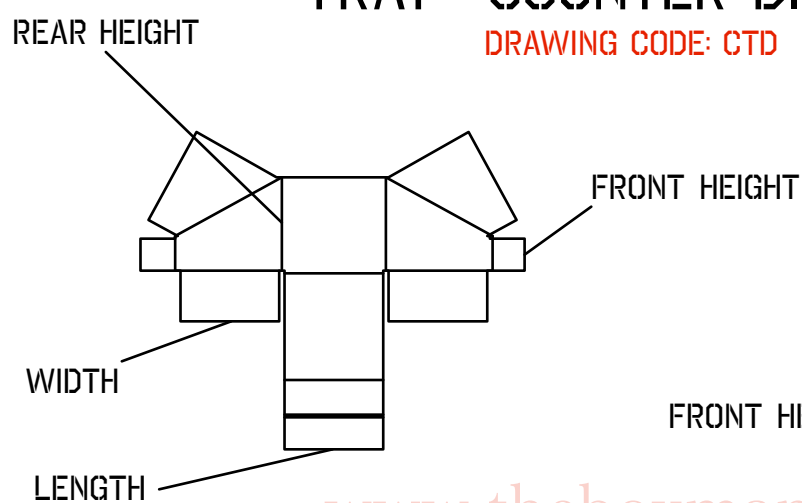
ASSEMBLY REQUIRED: THESE TRAYS ARE SELF LOCKING TRAY (HEADER CARDS WILL REQUIRE TAPE)

SUPPLIED: FLAT - BUNDLED OR WRAPPED (FOR LARGER QUANTITIES THEY WILL BE PALLETISED)

*** PLEASE NOTE THAT WE WORK OFF INTERNAL MEASUREMENTS ***

TRAY - COUNTER DISPLAY

DRAWING CODE: CTD



www.theboxman.com.au

PRICE: RANGE 6

THESE TRAYS FEATURE FRONT AND SIDE WALLS THAT FOLD IN FOR A VERY CLEAN FINISH

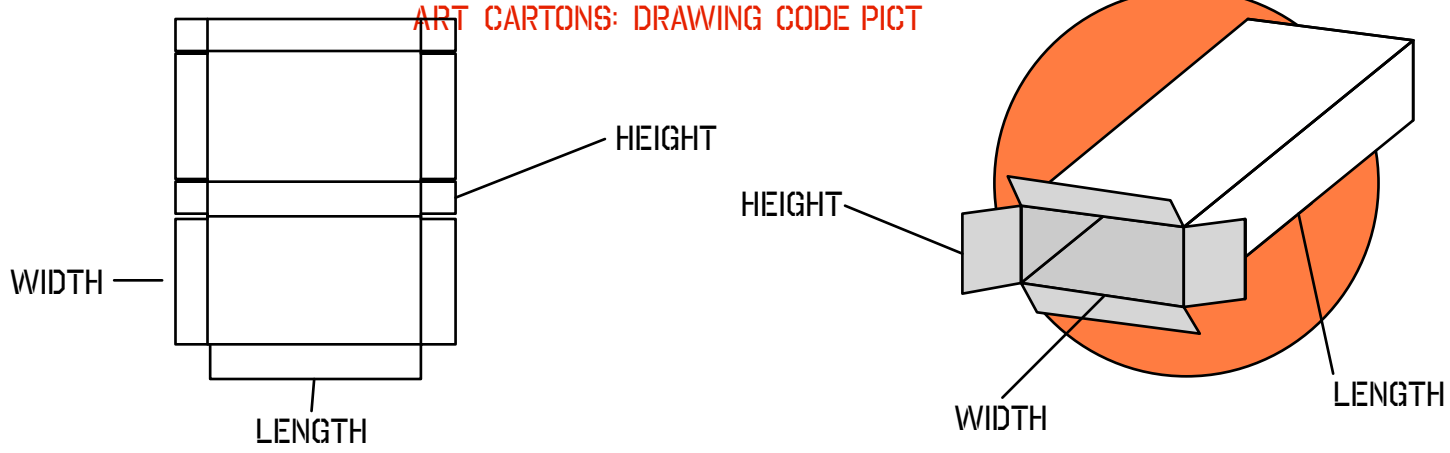
ASSEMBLY REQUIRED: THESE TRAYS ARE SELF LOCKING (HEADER CARDS WILL REQUIRE TAPE)

SUPPLIED: FLAT - BUNDLED OR WRAPPED (FOR LARGER QUANTITIES THEY WILL BE PALLETISED)

*** PLEASE NOTE THAT WE WORK OFF INTERNAL MEASUREMENTS ***

THE BOX MAN - HEAVY DUTY CARTONS

ART CARTONS: DRAWING CODE PICT



www.theboxman.com.au

THESE ARE HEAVY DUTY ART SHIPPER - PROVIDING COST EFFICIENCY AND EXCELLENT STRENGTH

NOTE: WE WILL NOT RUN THIS BOX UNDER 40MM THICK (HEIGHT)

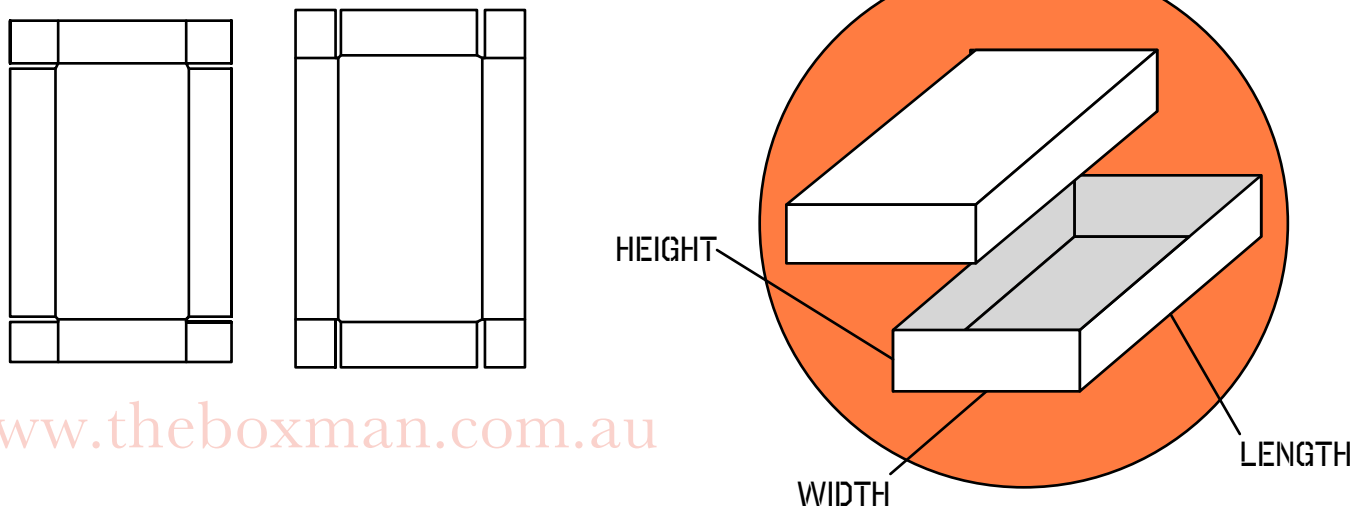
ASSEMBLY REQUIRED: CAN BE SUPPLIED PRE-GLUED OR UNGLUED (UNGLUED IS CHEAPER)

SUPPLIED: GLUED BOXES WILL BE ASSEMBLED - UNGLUED BOXES WILL BE BUNDLED FLAT

*** PLEASE NOTE THAT WE WORK OFF INTERNAL MEASUREMENTS ***

THE BOX MAN - HEAVY DUTY CARTONS

2 PIECE BOXES: DRAWING CODE: 2PG



www.theboxman.com.au

THESE ARE HEAVY DUTY "SHOEBOX" - "LID AND TRAY" STYLE BOXES WITH EXCELLENT STRENGTH

HOWEVER: WE DO NOT LIKE TO RUN THIS STYLE OF BOX AT A HEIGHT UNDER 100MM

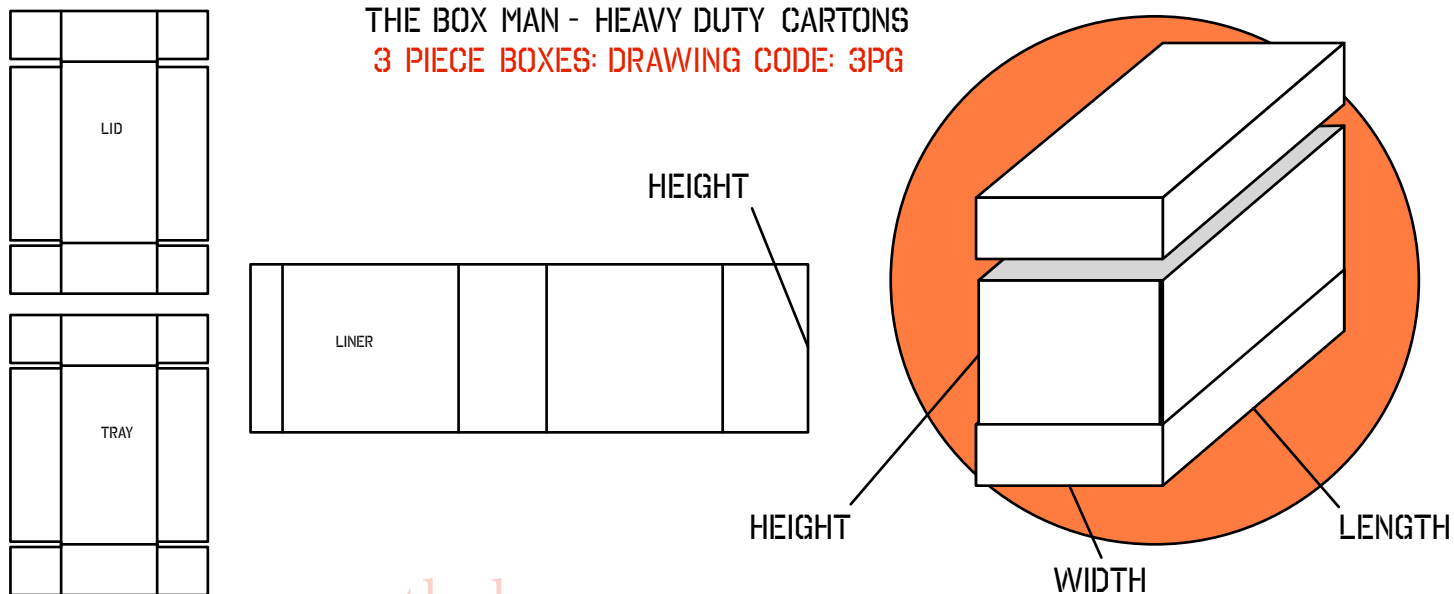
ASSEMBLY REQUIRED: CAN BE SUPPLIED PRE-GLUED OR UNGLUED (UNGLUED IS CHEAPER)

SUPPLIED: GLUED BOXES WILL BE ASSEMBLED - UNGLUED BOXES WILL BE BUNDLED FLAT

*** PLEASE NOTE THAT WE WORK OFF INTERNAL MEASUREMENTS ***

THE BOX MAN - HEAVY DUTY CARTONS

3 PIECE BOXES: DRAWING CODE: 3PG

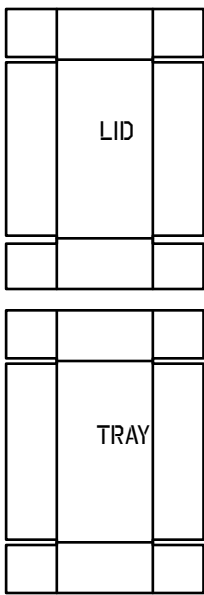


www.theboxman.com.au

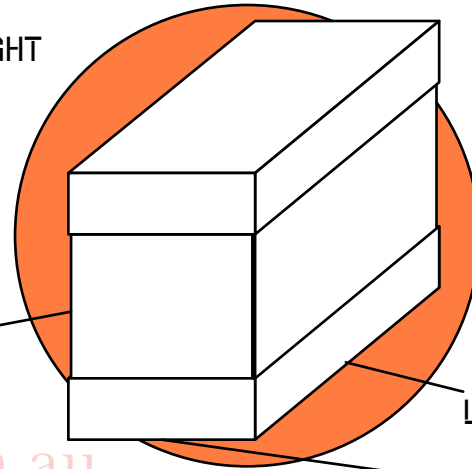
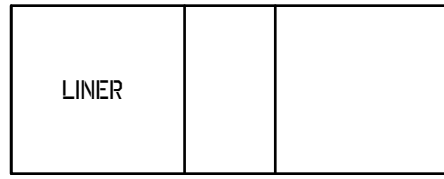
THESE ARE HEAVY DUTY BOXES FEATURING A "LID AND TRAY" AND LINER THAT FORMS THE HEIGHT THEY PROVIDE EXCELLENT STRENGTH AND DURABILITY FOR SHIPPING

ASSEMBLY REQUIRED: PREASSEMBLED SUPPLIED: GLUED AND STRAPPED TOGETHER

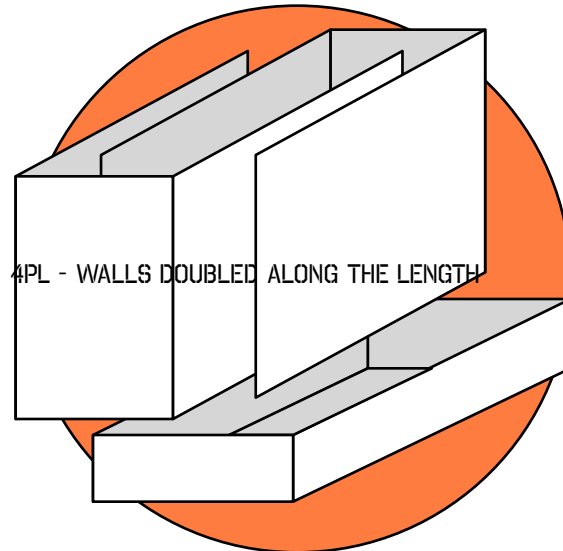
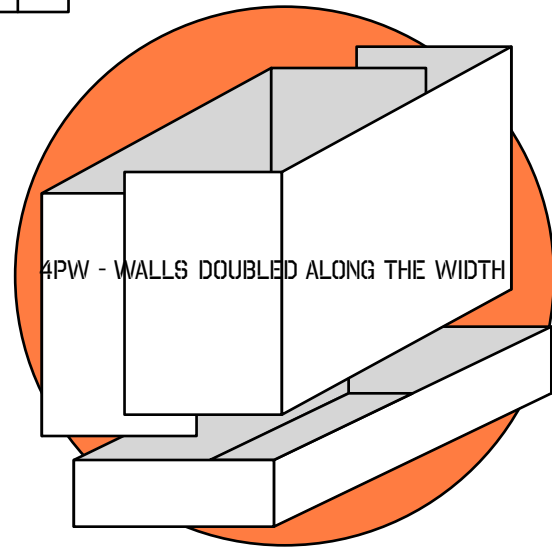
*** PLEASE NOTE THAT WE WORK OFF INTERNAL MEASUREMENTS ***



THE BOX MAN - HEAVY DUTY CARTONS
4 PIECE BOXES: DRAWING CODE: 4PG

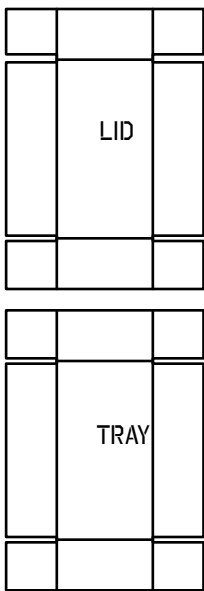


www.theboxman.com.au

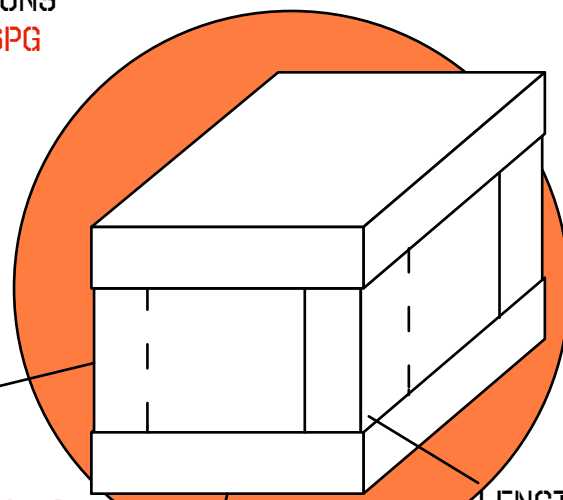
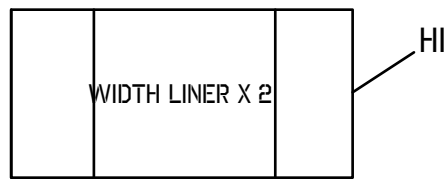
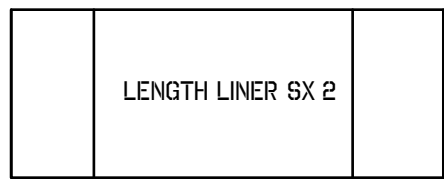


THESE ARE HEAVY DUTY BOXES WHICH FEATURE -A GLUED "LID AND TRAY" AND 2 U-SHAPED LINERS WHICH FORM THE HEIGHT. THESE PROVIDE EXCELLENT STRENGTH AND PROTECTION
ASSEMBLY REQUIRED: LIDS AND TRAYS PRE-GLUED SUPPLIED: GLUED - AND STRAPPED TOGETHER

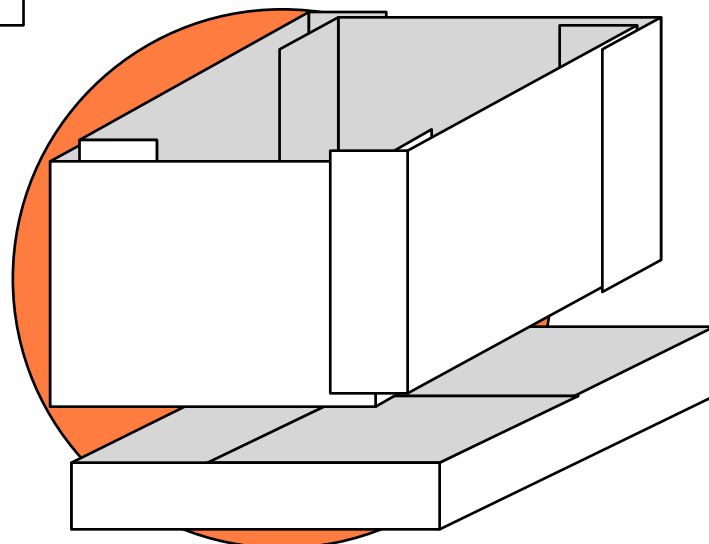
*** PLEASE NOTE THAT WE WORK OFF INTERNAL MEASUREMENTS ***



THE BOX MAN - HEAVY DUTY CARTONS
CARGO BOXES: DRAWING CODE: 6PG



www.theboxman.com.au



THESE ARE THE STRONGEST BOXES WE MAKE
FEATURING: A GLUED "LID AND TRAY" AND 4 U-SHAPED LINERS WHICH FORM THE HEIGHT.
THESE PROVIDE EXCELLENT STRENGTH AND PROTECTION
ASSEMBLY REQUIRED: LIDS AND TRAYS PRE-GLUED SUPPLIED: GLUED - AND STRAPPED TOGETHER

*** PLEASE NOTE THAT WE WORK OFF INTERNAL MEASUREMENTS ***